

# Fast Charging Solo Freestanding Mount Datasheet

# Solo Freestanding Mount

The Freestanding Mount for the Solo Charger allows one or two Solo Chargers to be securely installed in locations where wall mounting is not suitable. The electrical supply cable for the Solo is fed through the base of the unit and up through the core of the stand.

Part number (s)	Single: PP-M-200080-1 Double: PP-M-200081-1
Product family	Solo



Freestanding Mount



Single and double option



3 Year Warranty

## Physical Properties

Height Width Depth	1405mm 360mm 250mm
Weight	Single - 19 kg Double - 21 kg

Standard colours	Black
Materials	Steel

## Installation

Wiring	Fed through base
Fixtures	4 x at base

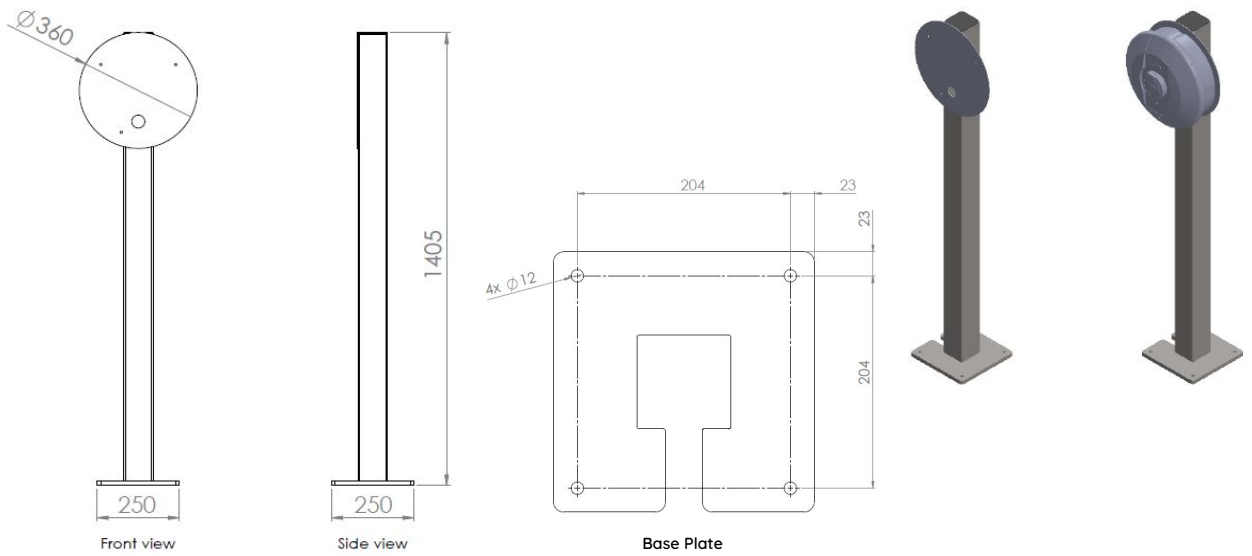
## Shipping

Shipping Height Width Depth	1490mm 370mm 340mm
Shipping Weight	Single - 21kg Double - 23kg

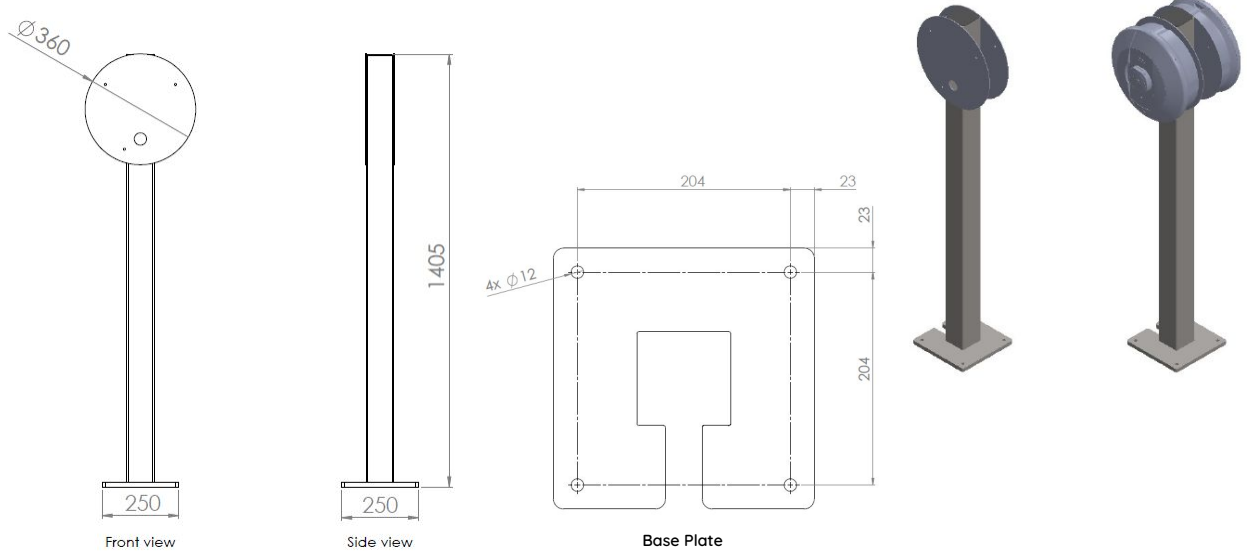
# Solo Freestanding Mount

The Freestanding Mount for the Solo Charger allows one or two Solo Chargers to be securely installed in locations where wall mounting is not suitable. The electrical supply cable for the Solo is fed through the base of the unit and up through the core of the stand.

## Single stand for 1 x Pod Point Solo Charger



## Double stand for 2 x Pod Point Solo Charger





Call us for support on **020 7247 4114**



Email us at **support@pod-point.com**



Tweet us at **@Pod\_Point**



Website: **pod-point.com**

pod POINT